



USE & CARE INSTRUCTIONS



XPAP5 - HEPA Air Purifier with 5 stage purification

With Pre-filter, HEPA filter, Activated Carbon filter,
UV-C Lamp & Ionizer

**PLEASE READ THESE INSTRUCTIONS CAREFULLY
AND SAVE FOR FUTURE REFERENCE**



IMPORTANT WARNINGS

Failure to comply with the warnings listed below may result in electric shock or serious injury.

This product should be used only in accordance with the specifications outlined in this manual. Usage other than as specified in these instructions may result in serious injury, risk of fire or electric shock.

- **IMPORTANT** - To reduce the risk of electric shock, the plug is intended to fit in a standard polarized 13Amp socket outlet, only plug the appliance directly into a proper electrical outlet.
- To protect against electrical hazards, **DO NOT** immerse in water or other liquids. Do not use near water.
- Children cannot recognize the hazards associated with the usage of electrical appliances. For this reason, always supervise children when they are near the unit. These appliances can be used by children aged from 3 and above and persons with reduced physical, sensory or mental capabilities or lack of experience and knowledge if they have been given supervision or instruction concerning use of the appliance in a safe way and understand the hazards involved. Children shall not play with the appliance. Cleaning and user maintenance shall not be made by children without supervision.
- Always unplug the air purifier before moving it, opening the grill, changing filters, cleaning or whenever the air purifier is not in use. Be sure to pull by the plug and not the cord when un-plugging the appliance.
- **NEVER** drop or insert any object into any openings.
- **DO NOT** operate appliance connected to an extension cable
- Keep the cord out of heavy traffic areas. To avoid fire hazard, **NEVER** put the cord near heat registers, radiator, stoves or heaters.
- **DO NOT** cover cord with carpeting, throw rugs, runners, or similar coverings.
- **DO NOT** route cord under furniture or appliances. Take care to position the cord away from traffic areas and where it will not be tripped over.
- **DO NOT** route cord under furniture or appliances. Arrange cord away from traffic area and where it will not be tripped over.
- **DO NOT** operate any appliance with a damaged cord or plug, if motor fan fails to rotate, after the appliance malfunctions, or if it has been dropped or damaged in any manner. Send to Customer Service for assistance.
- Use appliance only for intended household use as described in this manual. Any other use not recommended by the manufacturer may cause fire, electric

shock or injury to persons.

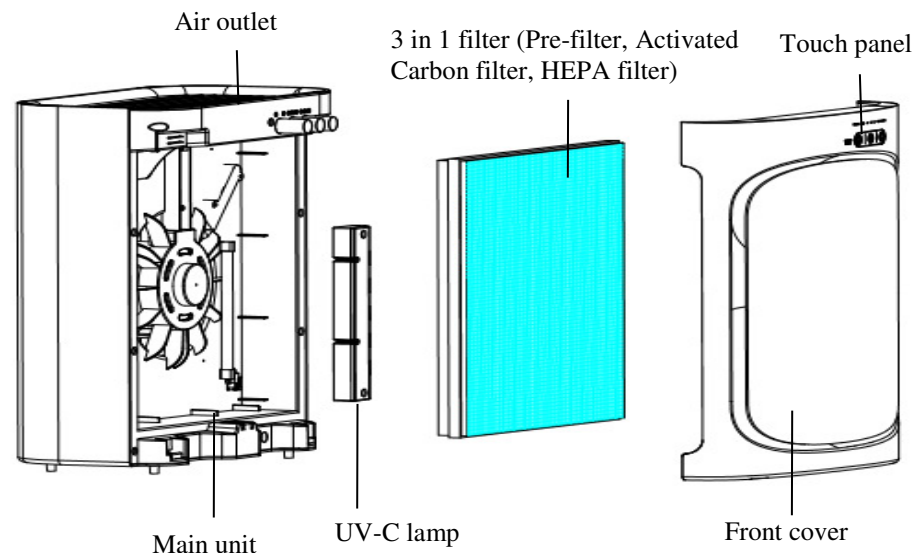
- DO NOT use outdoors.
- DO NOT place anything on top of unit.
- NEVER block the air openings, grills/outlets or place on a soft surface such as a bed or sofa, as this could cause the unit to tip over, blocking the air intake or outtake opening.
- DO NOT attempt to repair or adjust any electrical or mechanical functions on this unit. Doing so will void your warranty. The inside of the unit contains no user serviceable parts. All servicing should be performed by qualified personnel only.
- WARNING: To reduce the risk of fire or electric shock, do not use this fan with any solid-state speed control device.
- WARNING: To avoid danger of suffocation please remove all packaging materials particularly plastic and EPS and keep these away from vulnerable people, children and babies.
- WARNING: To avoid the risk of accidental strangulation from the supply cord all children and vulnerable people must be supervised when in the vicinity of the product whether it is working or not.

TECHNICAL SPECIFICATIONS

Rated Voltage:	AC 230V, 50Hz
Rated Power:	55W
Noise Level:	30dB(L), 45dB(M), 55dB(H)
UV Light:	Wavelength: 254nanometers
Lamp life:	Approx. 20,000 hours
Weight:	4.4Kgs
Dimensions:	323 (L) x185(W) x 410(H) mm
Coverage Area:	Approx. 20-30 m ²

Clean air delivery rates (CADR)	
Smoke	215
Pollen	255
Dust	230

PRODUCT STRUCTURE



5 STAGE AIR PURIFICATION SYSTEM

1. **PRE-FILTER:** Captures initial dust and allergen particles.
2. **ACTIVATED CARBON FILTER:** Absorbs formaldehyde, benzene and other noxious gas.
3. **HEPA FILTER:** Captures dust, smoke, pollen and other allergens.
4. **UV-C LIGHT:** Destroys micro-organisms such as germs, viruses, bacteria and fungi (such as mould toxins).
5. **IONIZER:** This generates negative ions which help clear the air of mold spores, pollen, pet dander, odors, cigarette smoke, bacteria, viruses, dust and other hazardous airborne particles. They do this by attaching to these positively charged particles in large numbers causing them to become too heavy to stay airborne causing them to attach to the surfaces of the filters.

OPERATING INSTRUCTIONS

BEFORE OPERATING THE AIR PURIFIER:

1. Carefully remove your air purifier from box and plastic bag.
2. Select a firm, level and flat location for the air purifier.

*For proper air flow, locate the unit at least 1 foot from any wall or furniture.
*Make sure none of the inlet or outlet grills are blocked or obstructed.

3. Before using, remove the filters from their bags and dispose of the bags safely.
4. Plug the power cord into a right voltage AC outlet.

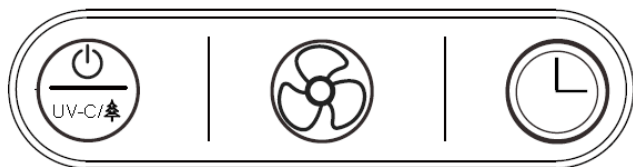
IMPORTANT:

When moving the air purifier, always lift the unit by the carrying handle located on the back.

When the unit is not in use, it is better to switch it off and unplug it.

POWER UV-C/ION I II III 2H 4H 8H

REPLACE
FILTER



OPERATING THE AIR PURIFIER



1. "POWER/UV-C/ION" BUTTON:

First press, power is on, UV/Ionizer is off.
Second press, power is on, UV/Ionizer is on.
Third press, power is on, UV/Ionizer is off.
Fourth press, power is off.

Important note: press and hold the button for 5 second to reset filter replacement.



2. "SPEED" BUTTON:

The fan speed of the unit can be adjusted when the unit is in operation (L/I M/II H/III). Each time that you press on the (SPEED) button, the speed is adjusted from L (low) to M (medium) to H (high).



3. "TIMER" BUTTON:

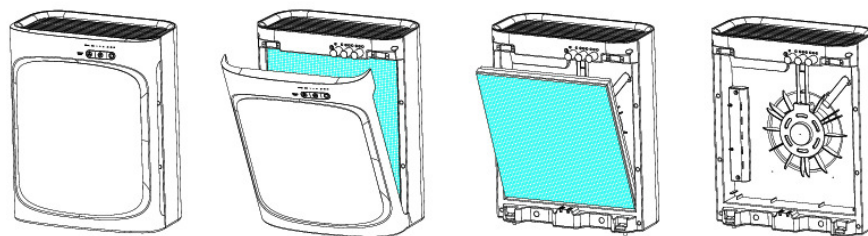
- 1) By pressing this button, the purifier can be timed to operate for intervals of 2 hours, 4 hours and 8 hours, stopping automatically when the selected operating time has elapsed.
- 2) Press this button (Timer) to select the required operating time. An indicator light automatically indicates the selected operating time.
- 3) To select the continuous operating mode, press the button repeatedly until there are no more time indicator lights lit.

INSTALLING & REMOVING FILTERS

FILTER REPLACEMENT INDICATOR

The POWER light flickering continuously indicates that it is time to replace the filter. Replace the filter according to the directions then press the POWER/UV-C button and hold for 5 seconds to restart the system. The light will stop flickering.

*Combination Filter will last approximately 6 months.



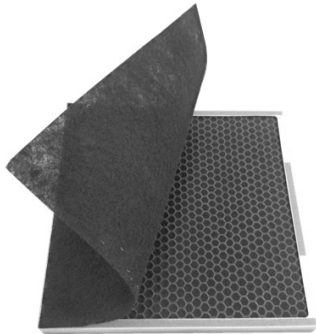
1. Open the front cover from the top.
2. Remove the combination filter by pulling the two strips outwards.
3. Insert new Combination Filter into the unit. Consult the strips on the filter for correct installation direction.
4. Reattach the extra Pre-filter to the Combination Filter.
5. Reattach the front cover of the unit and securely latch into place.
6. Press and hold POWER/UV-C/ION Button for 5 seconds to reset the Filter Change Indicator light.

CLEANING & MAINTAINING THE COMBINATION FILTER

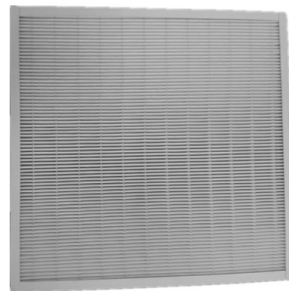
The air purifier should be cleaned at least once every month and the outer Pre-/Activated Carbon Filter attached to the HEPA Filter should be cleaned every month. More frequent cleaning may be required depending on environmental conditions.

FILTERS

Clean with the brush attachment of your vacuum cleaner. This will remove lint and dirt.



Front (Pre-filter& Carbon filter)



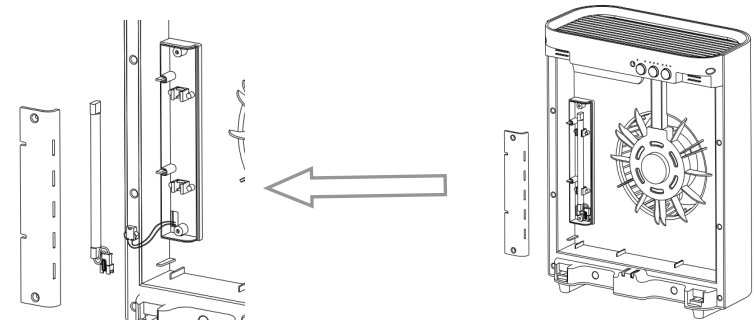
Back (HEPA filter)

NOTE:

-Only the **Extra Pre-filter** is washable, you must make sure the pre-filter is dry before you refit it to the combination filter.

-The Combination Filter is one filter system. The multiple layers include: the Pre-filter, Activated Carbon Filter and HEPA Filter.

UV LAMP REPLACEMENT



1. Open the UV lamp cover using a screw driver to remove the 2 fixing screws.
2. Remove the UV lamp from the holder carefully and unplug the connector.
3. Connect the new UV lamp to the connector and fix the lamp back in the holder carefully.
4. Replace the cover and refit the 2 screws.

WARNING: Do not look at the UV lamp directly while it is operating.

MAINTENANCE CAUTION

Use a clean, dry, soft cloth to wipe the external surface of the unit.

NOTE: Do NOT stick any foreign objects or your fingers inside of the unit.

CAUTION: Do NOT use gasoline, benzene, thinners, harsh cleaners, etc. on and/or in the unit while cleaning as they will damage the product.

NEVER use alcohol or other solvents.

MINI TROUBLESHOOTING GUIDE

Before carrying out any of the following service checks, unplug the unit from the mains.

Insufficient air flow	Check that the filters are clean Check for any obstructions in the air inlet and outlet
Unit will not start	Check the power supply and electric fuses. Check that the Front Cover is latched firmly in place. Check that the Filter is firmly in place.
Excessive noise	Check for any foreign objects in contact with the fan. The filter may be clogged and ready for replacement. The foam sealing gaskets have been installed incorrectly. Uneven positioning.

PURCHASING SPARE FILTERS & UV LAMPS

Spare filters and UV Lamps can be obtained at our partner online shop www.dimplex.co.uk. Alternatively, spare filters and UV Lamps may be available from the retailer.

Note:

Spare 3 in 1 filter part number: 6017003

Spare UV Lamp part number: 6017001

GDHV Group Ltd reserves the right to modify the content of these instructions, at any time and without prior notice.



RECYCLING

The crossed bin symbol on the appliance indicates that the product, at the end of its life, must be disposed of separately from domestic waste, either by taking it to a separate waste disposal site for electric and electronic appliances or by returning it to your dealer when you buy another similar appliance. The user is responsible for taking the appliance to a special waste disposal site at the end of its life. If the disused appliance is collected correctly as separate waste, it can be recycled, treated and disposed of ecologically; this avoids a negative impact on both the environment and health, and contributes towards the recycling of the product's materials. For further information regarding the waste disposal services available, contact your local waste disposal agency or manufacturer.

AFTER SALES SERVICE

Your product is guaranteed for one year from the date of purchase. Within this period, we undertake to repair or exchange this product free of charge (subject to availability), provided it has been operated in accordance with these instructions. Your rights under this guarantee are additional to your statutory rights, which in turn are not affected by this guarantee.

Should you require after sales information or assistance with this product in the first instance please email us at:

Email: customer.services@gdcgroup.co.uk

GDC Group Ltd.
MILLBROOK HOUSE
GRANGE DRIVE
HEDGE END
SOUTHAMPTON
SO30 2DF

Tel: 0844 879 3588

Republic Of Ireland Tel: 01 842 4833

A division of GDC Group LTD
Website: www.gdcgroup.co.uk

This product complies with EU Directive 2002/96/EC

XPAP5-IM-170518